

Q-Y700



3 Years Warranty

STAINLESS STEEL BRACKET FOR FRAMELESS GLASS DOOR (DROP BOLT COMPATIBLE)



PRODUCT DESCRIPTION

The Q-Y700 is a high-quality aluminum bracket specifically designed for frameless glass doors to support electric bolt locks. Engineered for durability and compatibility, this bracket ensures secure installation without compromising the aesthetics of modern glass entryways. Ideal for access control systems in commercial and office environments.

PRODUCT ADVANTAGES

Strong and Durable Build: Manufactured from special stainless steel, the Q-Y700 bracket offers high strength and long-lasting performance in demanding environments.

Tailored for Frameless Glass Doors: Specifically designed for upper and lower frameless glass doors, ensuring a secure fit without damaging the glass.

Sleek and Professional Appearance: Its minimalist design preserves the clean aesthetic of modern glass entrances, making it ideal for corporate and commercial settings.

Compatible with Electric Bolt Locks: Perfectly engineered to support electric bolt lock installations, providing stability and security in access control systems.

Quick and Easy Installation: Simple structure allows for efficient installation on 10–15 mm glass thickness without extensive tools or modifications.

Q-Y700

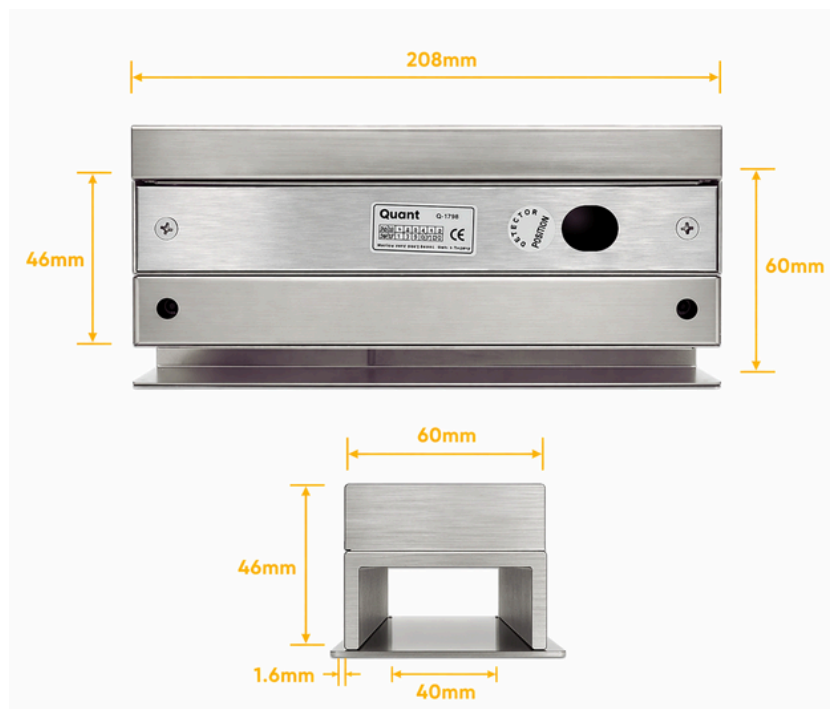


3 Years Warranty

TECHNICAL SPECIFICATION

Product Parameter	Description Parameter
Model	Q-Y700
Structure	Stainless steel panel
Suitable for	Full frameless glass doors with drop bolts
Open Mode	180-degree swing door
Product Type	Bracket for Upper and Lower Frameless Glass Doors
Bracket Size	280L × 60W × 46H (mm)
Glass Thickness	10–15 mm
Weight	1.3 kg
Country of Origin	Malaysia
Certifications	UL, CE
Warranty	3 Years

DIMENSIONS

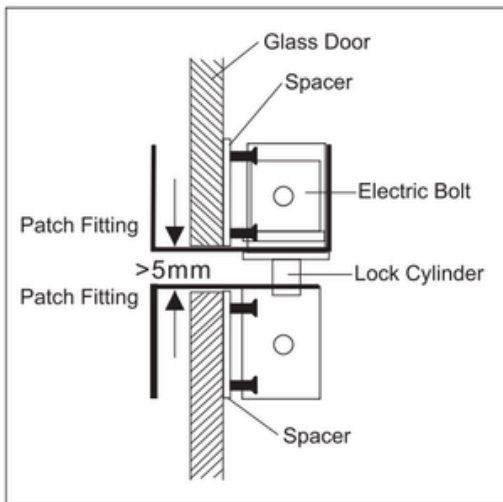


Q-Y700

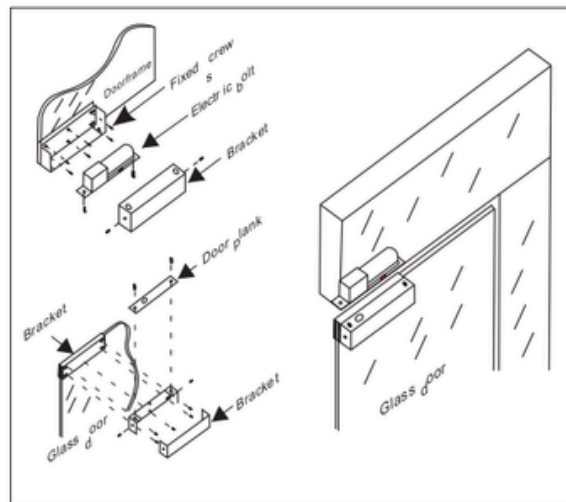


3 Years Warranty

INSTALLATION



Bracket Section View



Bracket Installation Diagram

