

Q-GLC-BX-U / Q-GLC-BX-D

1.25G SFP BIDI LC 20KM SINGLE-FIBER OPTICAL TRANSCEIVER



Form Factor	Fiber Type	Connector	Max Reach
SFP+	Single-mode (SMF)	Simplex LC	20 km

OVERVIEW

The Quant Q-GLC-BX-U and Q-GLC-BX-D are hot-pluggable SFP Bi-Directional optical transceivers designed for Gigabit Ethernet and Fiber Channel applications over single-mode fiber. These modules enable single-fiber communication by transmitting and receiving on different wavelengths. Q-GLC-BX-U transmits at 1310 nm and receives at 1550 nm, while QGLC-BX-D transmits at 1550 nm and receives at 1310 nm. When used as a pair, they support transmission distances up to 20 km over SMF.

Key Features	Typical Applications
<ul style="list-style-type: none"> Hot-pluggable SFP form factor Bi-directional transmission over single fiber Supports 1.25 Gb/s / 1.0625 Gb/s data rates Simplex LC optical connector Transmission distance up to 20 km over SMF Low power consumption (<0.8 W) Digital Diagnostic Monitoring (DDM) support Operating temperature 0°C to +70°C Compliant with SFP MSA and SFF-8472 	<ul style="list-style-type: none"> Gigabit Ethernet Fiber Channel links Switch-to-switch interconnects Router / server interfaces Optical transmission systems

Q-GLC-BX-U / Q-GLC-BX-D

1.25G SFP BIDI LC 20KM SINGLE-FIBER OPTICAL TRANSCEIVER



TECHNICAL SPECIFICATIONS

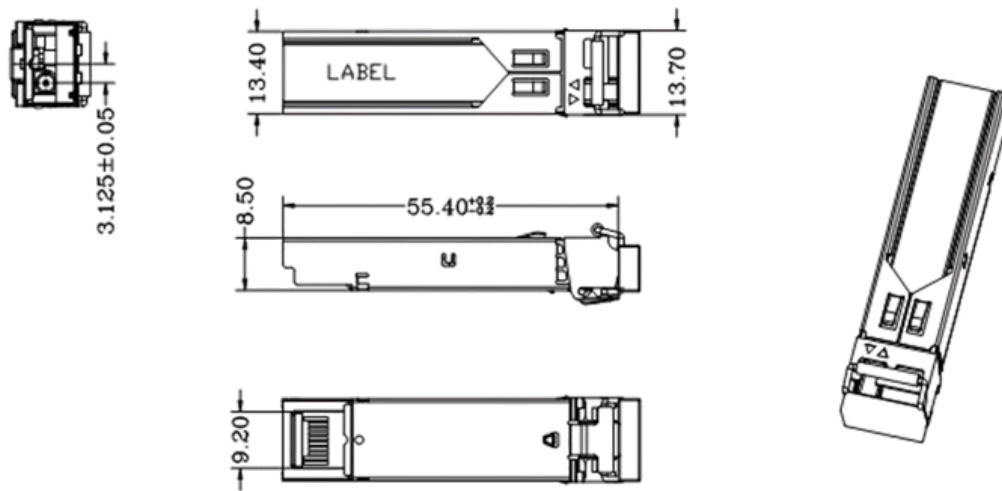
Parameter	Specification	
Part Number	Q-GLC-BX-U	Q-GLC-BX-D
Description	1.25G SFP BiDi optical transceiver with DDM	
Form Factor	SFP, hot-pluggable	
Data Rate	1.25 Gb/s	1.0625 Gb/s
Fiber Type	Single-mode fiber (SMF)	
Connector	Simplex LC	
Maximum Reach	20 km	
Wavelength	1310 nm / 1550 nm	1550 nm / 1310 nm
Transmitter Type	FP laser	DFB laser
Receiver Type	PIN photodiode	
Supply Voltage	Single +3.3 V	
Power Consumption	<0.8 W	
Operating Temperature	0°C to +70°C	
Diagnostics	Temperature, supply voltage, TX/RX optical power monitoring	
Warranty	2 years	
Origin of Country	Vietnam	

Q-GLC-BX-U / Q-GLC-BX-D

1.25G SFP BIDI LC 20KM SINGLE-FIBER OPTICAL TRANSCEIVER



PRODUCT DIMENSION



Units in mm
Tolerance without indication is ± 0.1 mm

ORDERING INFORMATION

Q-GLC-BX-U (Factory 2612-T)	1.25G SFP BiDi optical transceiver, 1310 nm TX / 1550 nm RX, 20 km over SMF, simplex LC, with Digital Diagnostic Monitoring.
Q-GLC-BX-D (Factory 2613-R)	1.25G SFP BiDi optical transceiver, 1550 nm TX / 1310 nm RX, 20 km over SMF, simplex LC, with Digital Diagnostic Monitoring.

