

## Q-GLC-BX-U / Q-GLC-BX-D

1.25G SFP BIDI LC 20KM SINGLE-FIBER OPTICAL TRANSCEIVER



Form Factor	Fiber Type	Connector	Max Reach
SFP+	Single-mode (SMF)	Simplex LC	20 km

### OVERVIEW

The Quant Q-GLC-BX-U and Q-GLC-BX-D are hot-pluggable SFP Bi-Directional optical transceivers designed for Gigabit Ethernet and Fiber Channel applications over single-mode fiber. These modules enable single-fiber communication by transmitting and receiving on different wavelengths. Q-GLC-BX-U transmits at 1310 nm and receives at 1550 nm, while QGLC-BX-D transmits at 1550 nm and receives at 1310 nm. When used as a pair, they support transmission distances up to 20 km over SMF.

Key Features	Typical Applications
<ul style="list-style-type: none"> <li>Hot-pluggable SFP form factor</li> <li>Bi-directional transmission over single fiber</li> <li>Supports 1.25 Gb/s / 1.0625 Gb/s data rates</li> <li>Simplex LC optical connector</li> <li>Transmission distance up to 20 km over SMF</li> <li>Low power consumption (&lt;0.8 W)</li> <li>Digital Diagnostic Monitoring (DDM) support</li> <li>Operating temperature 0°C to +70°C</li> <li>Compliant with SFP MSA and SFF-8472</li> </ul>	<ul style="list-style-type: none"> <li>Gigabit Ethernet</li> <li>Fiber Channel links</li> <li>Switch-to-switch interconnects</li> <li>Router / server interfaces</li> <li>Optical transmission systems</li> </ul>

## Q-GLC-BX-U / Q-GLC-BX-D

1.25G SFP BIDI LC 20KM SINGLE-FIBER OPTICAL TRANSCEIVER



### TECHNICAL SPECIFICATIONS

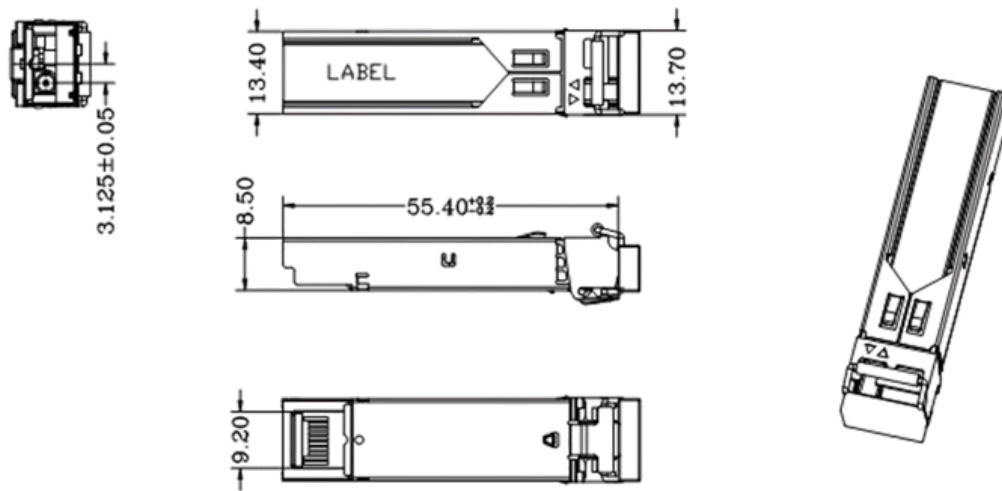
Parameter	Specification	
Part Number	Q-GLC-BX-U	Q-GLC-BX-D
Description	1.25G SFP BiDi optical transceiver with DDM	
Form Factor	SFP, hot-pluggable	
Data Rate	1.25 Gb/s	1.0625 Gb/s
Fiber Type	Single-mode fiber (SMF)	
Connector	Simplex LC	
Maximum Reach	20 km	
Wavelength	1310 nm / 1550 nm	1550 nm / 1310 nm
Transmitter Type	FP laser	DFB laser
Receiver Type	PIN photodiode	
Supply Voltage	Single +3.3 V	
Power Consumption	<0.8 W	
Operating Temperature	0°C to +70°C	
Diagnostics	Temperature, supply voltage, TX/RX optical power monitoring	

## Q-GLC-BX-U / Q-GLC-BX-D

1.25G SFP BIDI LC 20KM SINGLE-FIBER OPTICAL TRANSCEIVER



### PRODUCT DIMENSION



Units in mm  
Tolerance without indication is  $\pm 0.1\text{mm}$

### ORDERING INFORMATION

Q-GLC-BX-U (Factory 2612-T)	1.25G SFP BiDi optical transceiver, 1310 nm TX / 1550 nm RX, 20 km over SMF, simplex LC, with Digital Diagnostic Monitoring.
Q-GLC-BX-D (Factory 2613-R)	1.25G SFP BiDi optical transceiver, 1550 nm TX / 1310 nm RX, 20 km over SMF, simplex LC, with Digital Diagnostic Monitoring.