

**Q-SFP-10G-BX-U / Q-SFP-10G-BX-D**  
**10GB/S SFP+ BI-DIRECTIONAL TRANSCEIVER - 20KM**



Form Factor	Fiber Type	Connector	Max Reach
SFP+	Single-mode (SMF)	Simplex LC	20 km

**OVERVIEW**

The Quant Q-SFP-10G-BX-U and Q-SFP-10G-BX-D are hot-pluggable SFP+ Bi-Directional optical transceivers designed for 10-Gigabit Ethernet transmission over single-mode fiber. These modules enable communication over a single fiber by transmitting and receiving at different wavelengths. Q-SFP-10G-BX-U transmits at 1270 nm and receives at 1330 nm, while Q-SFP-10G-BX-D transmits at 1330 nm and receives at 1270 nm. When used together as a pair, they support distances up to 20 km over SMF.

Key Features	Typical Applications
<ul style="list-style-type: none"> <li>Hot-pluggable SFP+ form factor</li> <li>Bi-directional transmission over single fiber</li> <li>Supports 9.95 Gb/s to 10.3 Gb/s data rates</li> <li>Simplex LC optical connector</li> <li>Transmission distance up to 20 km over SMF</li> <li>Digital Diagnostic Monitoring (DDM) support</li> <li>Low power consumption (&lt;1 W)</li> <li>Single +3.3 V power supply</li> <li>Operating temperature 0°C to +70°C</li> <li>Compliant with SFP+ MSA and IEEE 802.3ae</li> </ul>	<ul style="list-style-type: none"> <li>10GBASE-LR / LW Ethernet links</li> <li>10G Fiber Channel Applications</li> <li>Switch-to-switch interconnects</li> <li>Data center networking</li> <li>Enterprise network uplinks</li> </ul>

**Q-SFP-10G-BX-U / Q-SFP-10G-BX-D**  
**10GB/S SFP+ BI-DIRECTIONAL TRANSCEIVER - 20KM**



## TECHNICAL SPECIFICATIONS

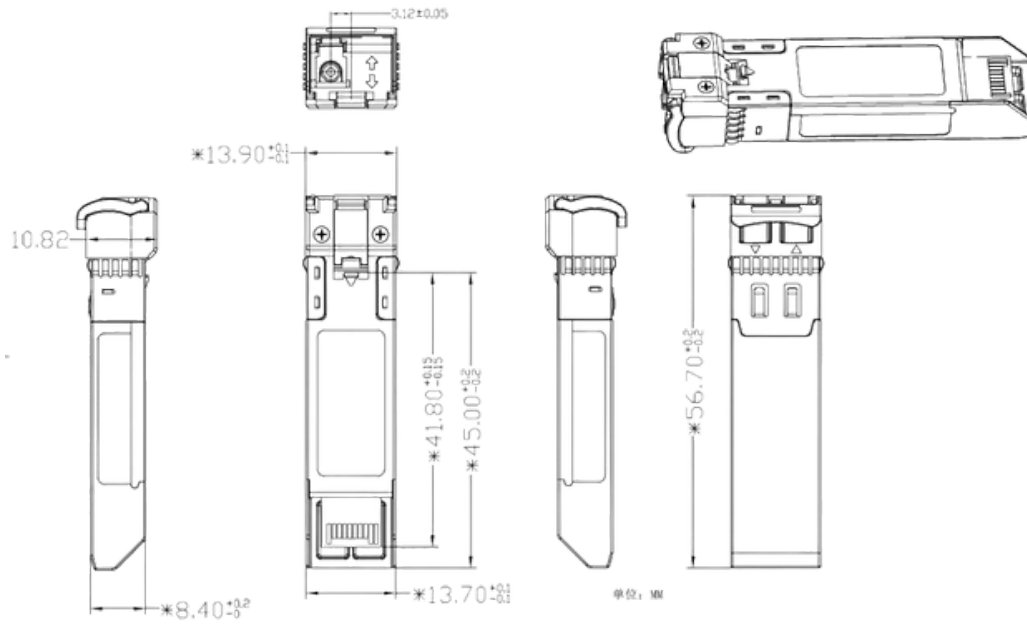
Parameter	Specification	
Part Number	Q-SFP-10G-BX-U	Q-SFP-10G-BX-D
Description	10G SFP+ BiDi optical transceiver with DDM	
Form Factor	SFP+, hot-pluggable	
Data Rate	9.95 Gb/s	10.3 Gb/s
Fiber Type	Single-mode fiber (SMF)	
Connector	Simplex LC	
Maximum Reach	20 km	
Wavelength	1270 nm / 1330 nm	1330 nm / 1270 nm
Transmitter Type	DFB laser	
Receiver Type	PIN photodiode	
Supply Voltage	Single +3.3 V	
Maximum Power Consumption	<1 W	
Operating Temperature	0°C to +70°C	
Storage Temperature	-40°C to +85°C	
Diagnostics	Temperature, supply voltage, TX/RX optical power monitoring	
Warranty	2 years	
Origin of Country	Vietnam	

## Q-SFP-10G-BX-U / Q-SFP-10G-BX-D

10GB/S SFP+ BI-DIRECTIONAL TRANSCEIVER - 20KM



### PRODUCT DIMENSION



### ORDERING INFORMATION

<b>Q-SFP-10G-BX-U</b>	10G SFP+ BiDi optical transceiver, 1270 nm TX / 1330 nm RX, 20 km over SMF, simplex LC, with DDM.
<b>Q-SFP-10G-BX-D</b>	10G SFP+ BiDi optical transceiver, 1330 nm TX / 1270 nm RX, 20 km over SMF, simplex LC, with DDM.

