

Q-SFP-10G-CWDM27/33-20-I
10GB/S SFP+ BI-DIRECTIONAL TRANSCEIVER



| Form Factor | Fiber Type | Connector | Max Reach |
|-------------|-------------------|------------|-----------|
| SFP+ | Single-mode (SMF) | Simplex LC | 20 km |

OVERVIEW

The Quant Q-SFP-10G-CWDM27-20-I | Q-SFP-10G-CWDM33-20-I is a hot-pluggable SFP+ optical transceiver designed for 10 Gigabit Ethernet applications over single-mode fiber. Operating at a nominal wavelength of 1270 nm, it supports transmission distances up to 20 km and provides reliable 10G connectivity for telecom and enterprise networks. The module complies with IEEE 802.3ae 10GBASE-LR standards and includes Digital Diagnostic Monitoring (DDM) to enable real-time monitoring of transceiver performance parameters.

| Key Features | Typical Applications |
|---|---|
| <ul style="list-style-type: none"> Hot-pluggable SFP+ form factor Supports 9.95 – 10.3 Gb/s data rates 1270 nm CWDM DFB laser transmitter Simplex LC optical interface Transmission distance up to 20 km over SMF Industrial temperature range -40°C to +85°C Low power consumption (<1 W) Digital Diagnostic Monitoring (DDM) support Electrical interface compliant with SFF-8431 Optical interface compliant with IEEE 802.3ae 10GBASE-LR | <ul style="list-style-type: none"> 10GBASE-LR / 10GBASE-LW Ethernet links 10G Fiber Channel Telecom and enterprise backbone networks Switch-to-switch interconnects Router / server interfaces |

Q-SFP-10G-CWDM27/33-20-I
10GB/S SFP+ BI-DIRECTIONAL TRANSCEIVER



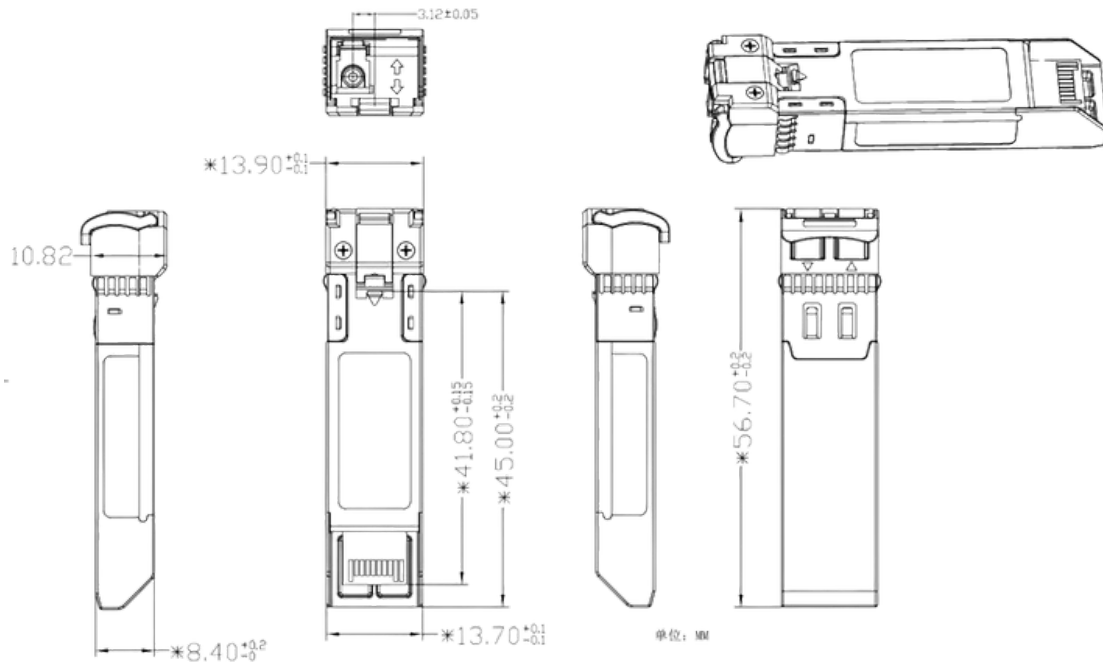
TECHNICAL SPECIFICATIONS

| Parameter | Specification | |
|-----------------------|---|-----------------------|
| Part Number | Q-SFP-10G-CWDM27-20-I | Q-SFP-10G-CWDM27-20-I |
| Description | 10G SFP+ CWDM optical transceiver with DDM | |
| Form Factor | SFP+, hot-pluggable | |
| Data Rate | 9.95 – 10.3 Gb/s | |
| Fiber Type | Single-mode fiber (SMF) | |
| Connector | Simplex LC | |
| Maximum Reach | 20 km | |
| Wavelength | 1270 nm | 1330 nm |
| Transmitter Type | DFB laser | |
| Receiver Type | PIN photodiode | |
| Standards Compliance | IEEE 802.3ae, SFF-8431 | |
| Supply Voltage | Single +3.3 V | |
| Power Consumption | <1W | |
| Operating Temperature | -40°C to +85°C | |
| Diagnostics | Temperature, supply voltage, TX/RX optical power monitoring | |
| Warranty | 2 years | |
| Origin of Country | Vietnam | |

Q-SFP-10G-CWDM27/33-20-I
10GB/S SFP+ BI-DIRECTIONAL TRANSCEIVER



PRODUCT DIMENSION



ORDERING INFORMATION

| | |
|------------------------------|---|
| Q-SFP-10G-CWDM27-20-I | 10G SFP+ CWDM optical transceiver, 1270 nm, simplex LC connector, 20 km over single-mode fiber, industrial temperature (-40~+85°C), with DDM. |
| Q-SFP-10G-CWDM33-20-I | 10G SFP+ CWDM optical transceiver, 1330 nm, simplex LC connector, 20 km over single-mode fiber, industrial temperature (-40~+85°C), with DDM. |

