

Q-SFP-10G-LR-20-I

10G SFP+ SINGLE-MODE OPTICAL TRANSCEIVER, LC, UP TO 20 KM



| Form Factor | Fiber Type | Connector | Max Reach |
|-------------|-------------------|-----------|-----------|
| SFP+ | Single-mode (SMF) | Duplex LC | 20 km |

OVERVIEW

The Quant Q-SFP-10G-LR-20-I is a hot-pluggable SFP+ optical transceiver designed for 10 Gigabit Ethernet applications over single-mode fiber. It supports data rates from 9.95 Gb/s to 10.5 Gb/s and transmission distances up to 20 km using a 1310 nm DFB laser transmitter and PIN receiver. The module complies with IEEE 802.3ae 10GBASE-LR and SFF-8431 standards and provides Digital Diagnostic Monitoring (DDM) for real-time monitoring of operating parameters.

| Key Features | Typical Applications |
|---|---|
| <ul style="list-style-type: none"> Hot-pluggable SFP+ form factor Supports 9.95 – 10.5 Gb/s data rates 1310 nm DFB laser transmitter Duplex LC optical interface Transmission distance up to 20 km over SMF Industrial temperature range -40°C to +85°C Low power consumption (<1 W) Digital Diagnostic Monitoring (DDM) support Compliant with IEEE 802.3ae 10GBASE-LR Electrical interface compliant with SFF-8431 | <ul style="list-style-type: none"> 10GBASE-LR / 10GBASE-LW Ethernet links 10G Fiber Channel Applications Switch-to-switch interconnects Router / server interfaces Optical transport networks Enterprise and telecom backbone links |

Q-SFP-10G-LR-20-I

10G SFP+ SINGLE-MODE OPTICAL TRANSCEIVER, LC, UP TO 20 KM



TECHNICAL SPECIFICATIONS

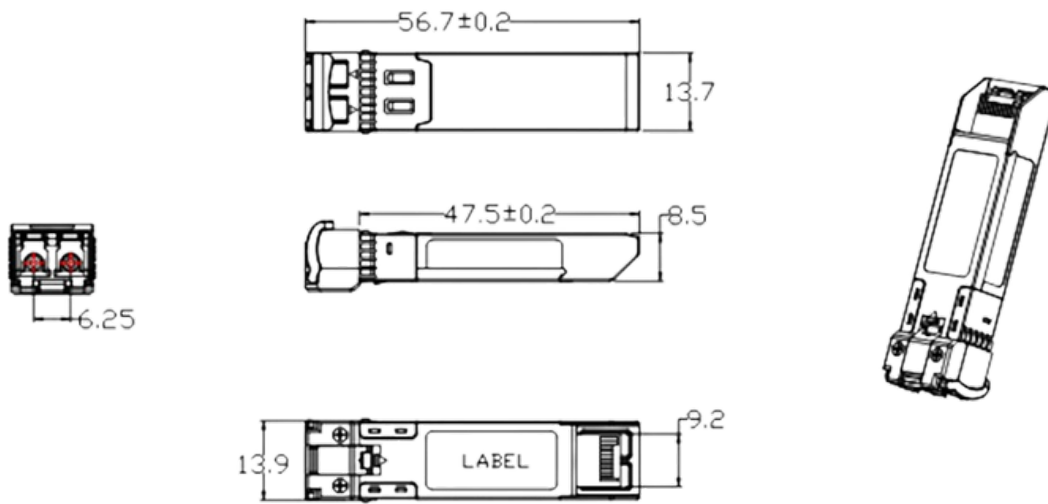
| Parameter | Specification |
|-----------------------|--|
| Part Number | Q-SFP-10G-LR-20-I |
| Description | 10G SFP+ LR optical transceiver with DDM |
| Form Factor | SFP+, hot-pluggable |
| Data Rate | 9.95 – 10.5 Gb/s |
| Fiber Type | Single-mode fiber (SMF) |
| Connector | Duplex LC |
| Maximum Reach | 20 km |
| Transmitter Type | 1310 nm DFB laser |
| Receiver Type | PIN photodiode |
| Standards Compliance | IEEE 802.3ae, SFF-8431, SFF-8432 |
| Supply Voltage | Single +3.3 V |
| Power Consumption | <1 W |
| Operating Temperature | -40°C to +85°C |
| Diagnostics | Temperature, voltage, TX/RX optical power monitoring |
| Warranty | 2 years |
| Origin of Country | Vietnam |

Q-SFP-10G-LR-20-I

10G SFP+ SINGLE-MODE OPTICAL TRANSCEIVER, LC, UP TO 20 KM



PRODUCT DIMENSION



Dimensions are in Millimeter

Tolerance without indication is $\pm 0.1\text{mm}$

ORDERING INFORMATION

Q-SFP-10G-LR-20-I

10G SFP+ optical transceiver, 1310 nm, duplex LC connector, 20 km over single-mode fiber, industrial temperature (-40~+85°C), with DDM.

