

Q-SFP-10G-LR

10GB/S SFP+ 1310NM 20KM OPTICAL TRANSCEIVER



Form Factor	Fiber Type	Connector	Max Reach
SFP+	Single-Mode (SMF)	Duplex LC	20 km

OVERVIEW

The Quant Q-SFP-10G-LR is a hot-pluggable SFP+ optical transceiver designed for 10- Gigabit Ethernet transmission over single-mode fiber. It uses an uncooled 1310 nm DFB transmitter and PIN receiver and supports transmission distances up to 20 km over singlemode fiber (SMF). The module complies with SFP+ MSA, SFF-8431, SFF-8432 and IEEE 802.3ae standards

Key Features	Typical Applications
<ul style="list-style-type: none">Hot-pluggable SFP+ form factorSupports 9.95 Gb/s to 10.5 Gb/s data rates1310 nm DFB transmitter with PIN receiverDuplex LC optical connectorUp to 20 km transmission over SMFDigital Diagnostic Monitoring (DDM) supportLow power consumption (<1 W)Single +3.3 V power supplyOperating temperature 0°C to +70°C	<ul style="list-style-type: none">10GBASE-LR / LW Ethernet links10G Fiber ChannelSwitch-to-switch interconnectsData center networkingEnterprise network uplinks

Q-SFP-10G-LR
10GB/S SFP+ 1310NM 20KM OPTICAL TRANSCEIVER



TECHNICAL SPECIFICATIONS

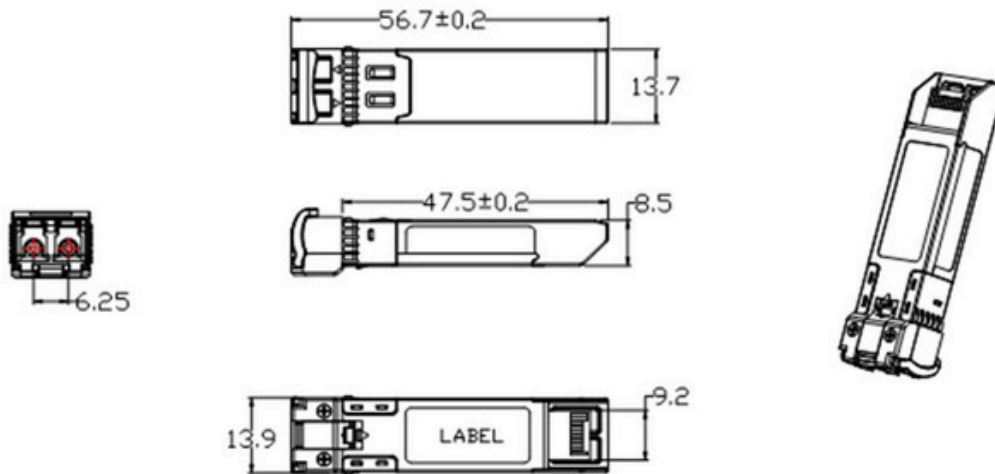
Parameter	Specification
Part Number	Q-SFP-10G-LR
Description	10G SFP+ LR optical transceiver with DDM
Form Factor	SFP+, hot-pluggable
Data Rate	9.95 Gb/s – 10.5 Gb/s
Wavelength	1310 nm
Fiber Type	Single-mode fiber (SMF)
Connector	Duplex LC
Maximum Reach	20 km
Transmitter Type	1310 nm DFB laser
Receiver Type	PIN photodiode
Supply Voltage	Single +3.3 V
Maximum Power Consumption	<1 W
Operating Temperature	0°C to +70°C
Storage Temperature	-40°C to +85°C

Q-SFP-10G-LR

10GB/S SFP+ 1310NM 20KM OPTICAL TRANSCEIVER



PRODUCT DIMENSION



Dimensions are in Millimeter

Tolerance without indication is $\pm 0.1\text{mm}$

ORDERING INFORMATION

Q-SFP-10G-LR

10 Gb/s SFP+ optical transceiver, 1310 nm, Duplex LC connector, 20 km over single-mode fiber, commercial temperature (0~70°C), with DDM.