

## Q-SFP-ZX-20-I

1.25G SFP BIDI 1550NM LC 20KM INDUSTRIAL TRANSCEIVER



Form Factor	Fiber Type	Connector	Max Reach
SFP	Single-mode (SMF)	Bi-Directional LC	20 km

### OVERVIEW

The Quant Q-SFP-ZX-20-I is a hot-pluggable SFP BiDi optical transceiver designed for Gigabit Ethernet and fiber channel applications. It supports data rates up to 1.25 Gb/s over single-mode fiber (SMF) with transmission distances up to 20 km. The module uses bidirectional wavelengths of 1310 nm and 1550 nm to enable single-fiber communication, reducing fiber infrastructure requirements. The transceiver complies with SFP MSA and SFF-8472 standards and provides Digital Diagnostic Monitoring (DDM) for real-time monitoring of operating parameters

Key Features	Typical Applications
<ul style="list-style-type: none"><li>Hot-pluggable SFP form factor</li><li>Bi-directional transmission over single fiber</li><li>Supports 1.25 Gb/s / 1.0625 Gb/s data rates</li><li>1310 nm wavelength operation</li><li>Single-fiber LC optical interface</li><li>Transmission distance up to 20 km over SMF</li><li>Industrial temperature range -40°C to +85°C</li><li>Low power consumption (&lt;0.8 W)</li><li>Digital Diagnostic Monitoring (DDM) support</li><li>SFP MSA and SFF-8472 compliant</li></ul>	<ul style="list-style-type: none"><li>Gigabit Ethernet</li><li>Fiber Channel</li><li>Switch-to-switch interface</li><li>Router / server interface</li><li>Industrial Ethernet networks</li><li>Optical transmission systems</li></ul>

## Q-SFP-ZX-20-I | Q-GLC-BX-U

1.25G SFP BiDi 1310/1550NM LC 20KM INDUSTRIAL TRANSCEIVER



### TECHNICAL SPECIFICATIONS

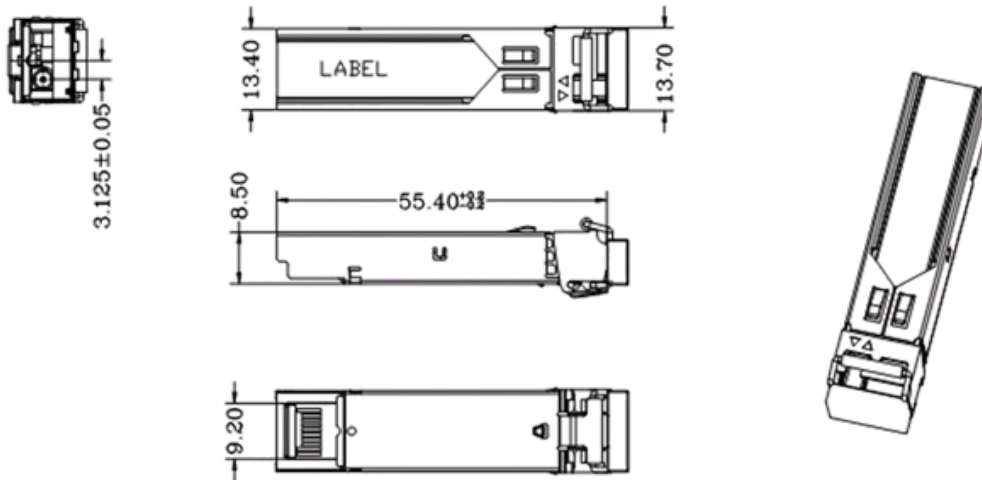
Parameter	Specification
Part Number	Q-SFP-ZX-20-I
Description	1.25G SFP BiDi industrial optical transceiver with DDM
Form Factor	SFP, hot-pluggable
Data Rate	1.25 Gb/s
Fiber Type	Single-mode fiber (SMF)
Connector	Bi-Directional LC
Maximum Reach	20 km
Receiver Wavelength	1550 nm (Q-SFP-ZX-20-I)
Laser Type	FP / DFB Laser
Receiver Type	PIN photodiode
Supply Voltage	Single +3.3 V
Power Consumption	<0.8 W
Operating Temperature	-40°C to +85°C
Diagnostics	Temperature, voltage, TX/RX optical power monitoring
Warranty	2 years
Origin of Country	Vietnam

Q-SFP-ZX-20-I | Q-GLC-BX-U

1.25G SFP BiDi 1310/1550NM LC 20KM INDUSTRIAL TRANSCEIVER



## PRODUCT DIMENSION



Units in mm  
Tolerance without indication is  $\pm 0.1\text{mm}$

## ORDERING INFORMATION

**Q-SFP-ZX-20-I**

1.25G SFP BiDi optical transceiver, 1550 nm, singlefiber LC connector, 20 km over SMF, industrial temperature (-40~+85°C), with DDM.

